



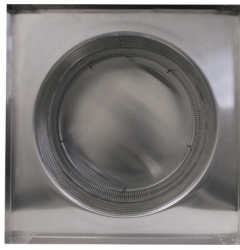
Aura Gravity Roof Ventilator with Curb Mount Flange Model Number: AV-16-C6-CMF | 16" Diameter 6" Tall Collar



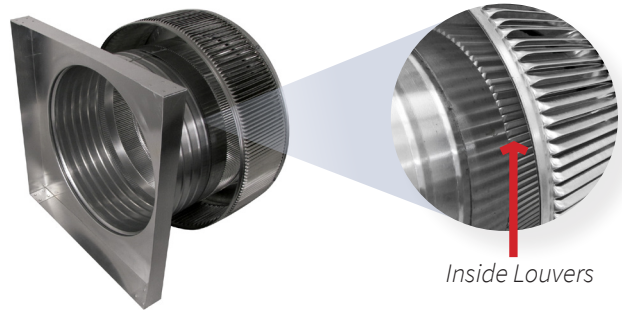
- Gravity Ventilator removes heat from the attic in the summer and moisture from the attic in the winter
- Curb mounted flange allows for easy access to the attic or duct below
- Curb mount flange fits over roof curbs
- For low slope or flat roofs
- Constructed of durable rust-free aluminum
- Additional colors are available



Top View

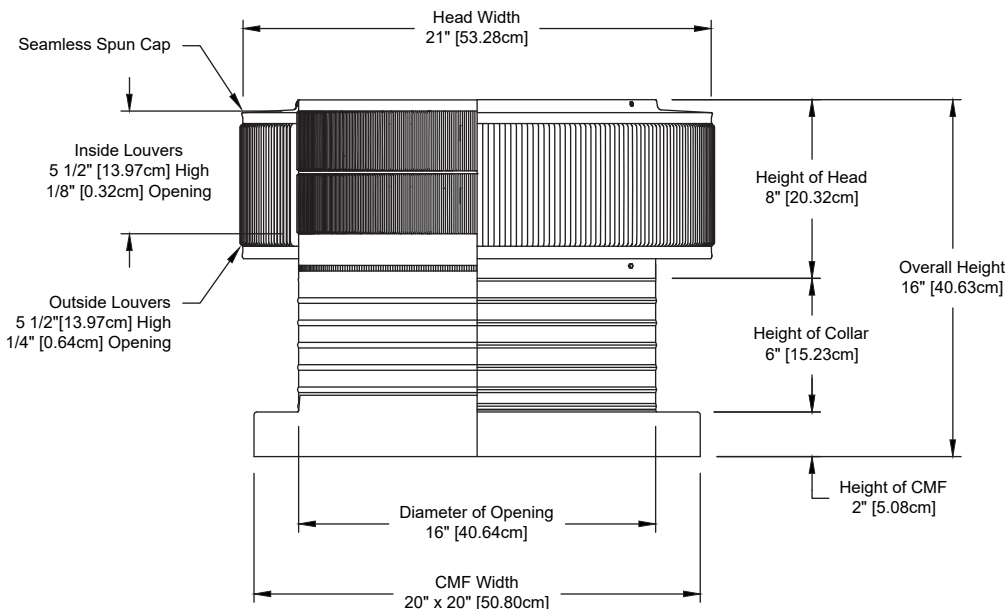


Bottom View



Inside Louvers

Dimensions & Specifications 200 Sq. in. NFA



Pitch Capacity				
Min.	Max. (Standard Vent)	Max. (Modified)		
0/12	4/12	12/12		
Net Free Vent Area				
(sq. inches)		(sq. feet)		
200		1.39		
Application per Sq. Foot				
(1/150)		(1/300)		
416		833		
CFM Performance Testing (using wind only)				
4 mph	5.2 mph	7.4 mph	9.8 mph	11 mph
246	276	387	435	497