



Aura Solar Attic Fan

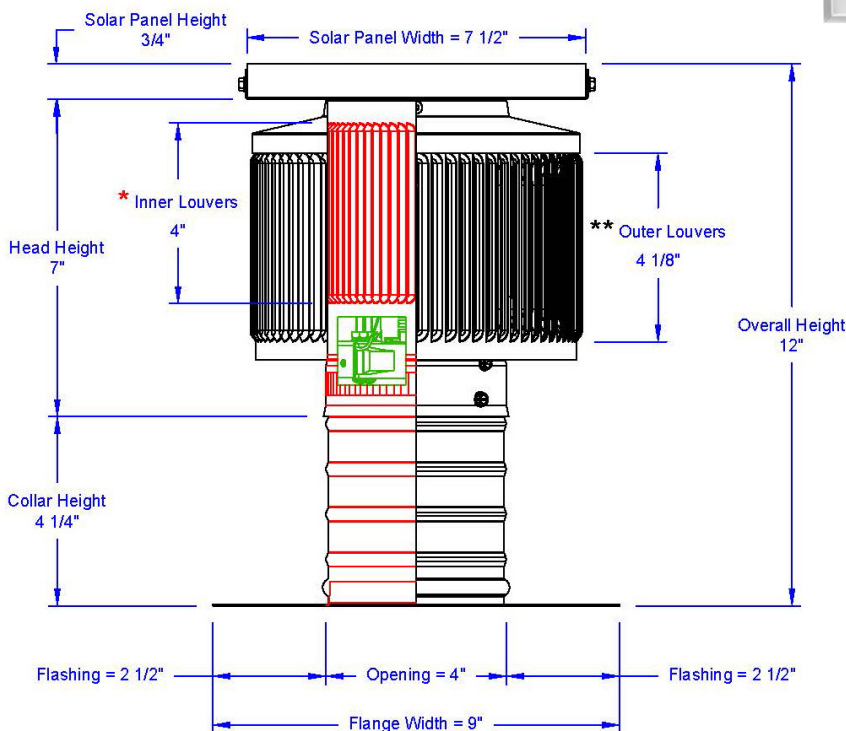
Model Number: ASF-4-C4 | 4" Diameter 4" Tall Collar



- Solar Panel only works in bright, direct sunlight
- The exhaust fan will also work passively by using wind power
- Fan is available with optional Shut-Off Switch and Tandem Solar Panels
- Louvers are designed to prevent rain, snow and wildlife from entering
- Solar Panel is made of high transparent low iron, tempered glass
- Fan head is removable for easy installation and maintenance
- Constructed of durable rust-free aluminum
- 1 year warranty



Dimensions & Specifications



Total CFM:	
91 @ 0.1SP	
Motor Type: Case Fan	
Solar Panel:	3W
Number of Fans:	1
Voltage:	12
Fan Wattage:	3
Total Wattage:	3
Net Free Vent Area	
(sq. inches)	(sq. feet)
12	0.08