



Roof Curb

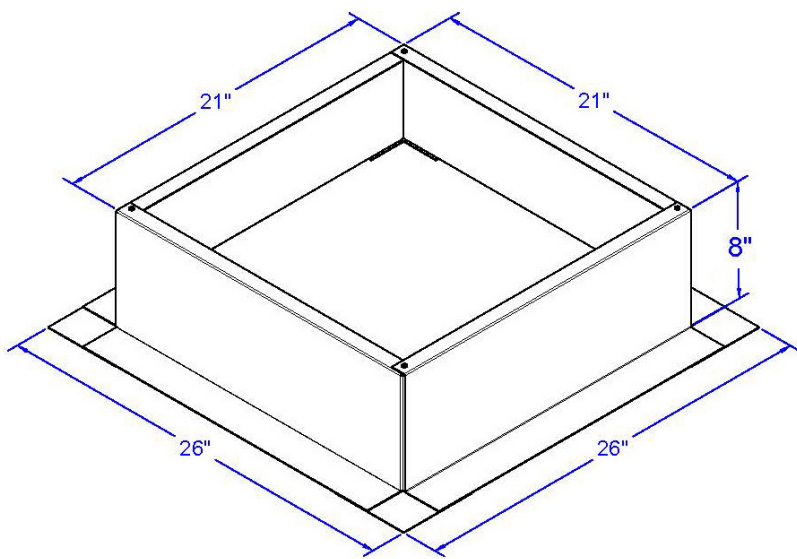
Model Number: RC-18-H8

Inside Opening: 19" | Outside Length & Width: 21" | Height: 8"



- A metal roof curb for roof vents or attic fans
- Preassembled to reduce installation time
- For EPDM, PVC and TPO roofs
- Aluminum Alloy 3003-H14, thickness 0.040" (± 0.005 ")
- Lighter and more versatile than wooden roof curbs
- Allows for easy access to the attic or plenum below
- 8" tall, 21" x 21" wide and 19" opening in the base
- 5 year warranty

Dimensions & Specifications



Tolerance = ± 0.25 "

