



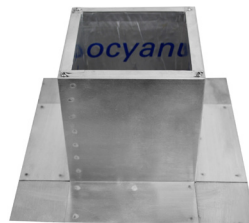
## Insulated Roof Curb

**Model Number: RC-3-H6-Ins**

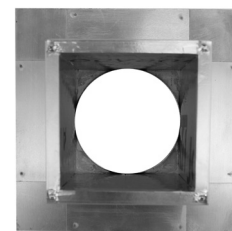
*Inside Throat Diameter: 5" | Outside Length & Width: 6" | Height: 6"*



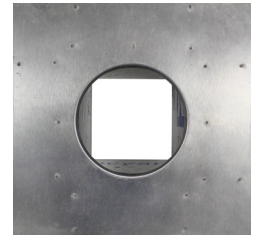
- Aluminum roof curb for roof vents or attic fans
- Insulation adds a protective layer from outside weather
- R-2.7, 0.5" thick foil faced polyiso board insulation
- Preassembled to reduce installation time
- Only for EPDM, PVC and TPO roofs
- Aluminum Alloy 3003-H14, thickness 0.025" ( $\pm 0.005$ " )
- 6" tall, 6" square OD, and 5" diameter throat in the base
- 5 year warranty



Side

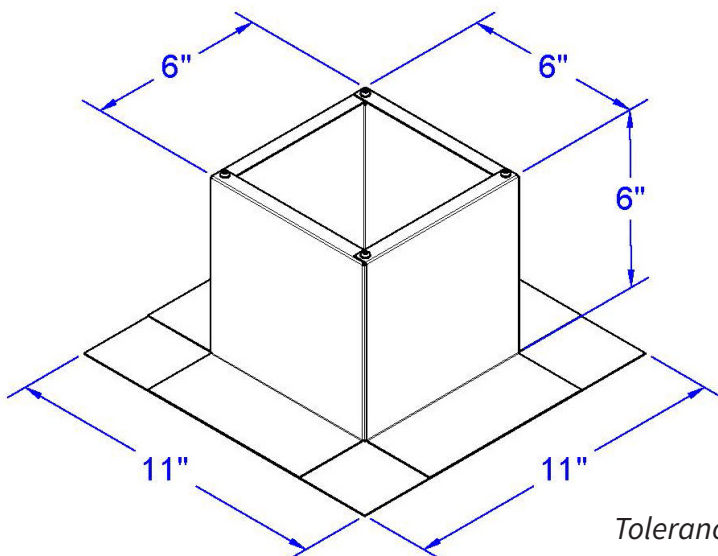


Top View



Bottom View

## Dimensions & Specifications



Tolerance =  $\pm 0.25$ "

