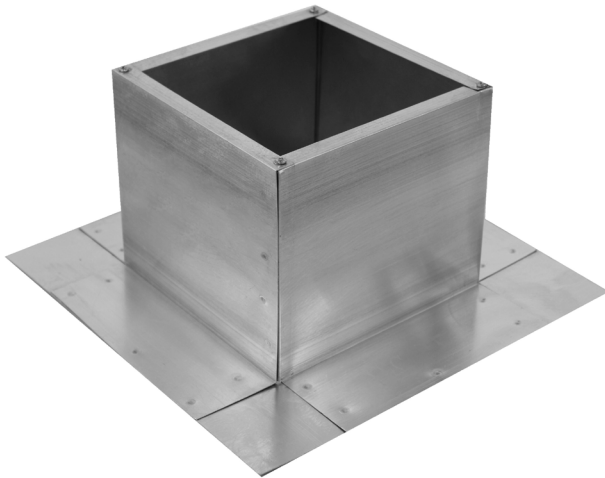




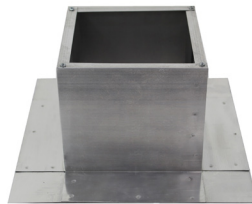
## Roof Curb

**Model Number: RC-4-H6**

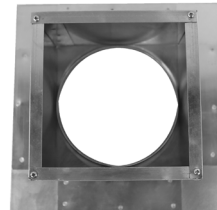
*Inside Throat Diameter: 6" | Outside Length & Width: 7" | Height: 6"*



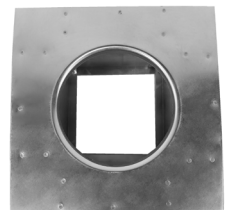
- A metal roof curb for roof vents or attic fans
- Preassembled to reduce installation time
- Used on EPDM, PVC and TPO roofs
- Aluminum Alloy 3003-H14, thickness 0.025" ( $\pm 0.005$ " )
- Lighter and more versatile than wooden roof curbs
- Allows for easy access to the attic or plenum below
- 6" tall, 7" wide, 7" long, and 6" diameter throat in the base
- 5 year warranty



Side

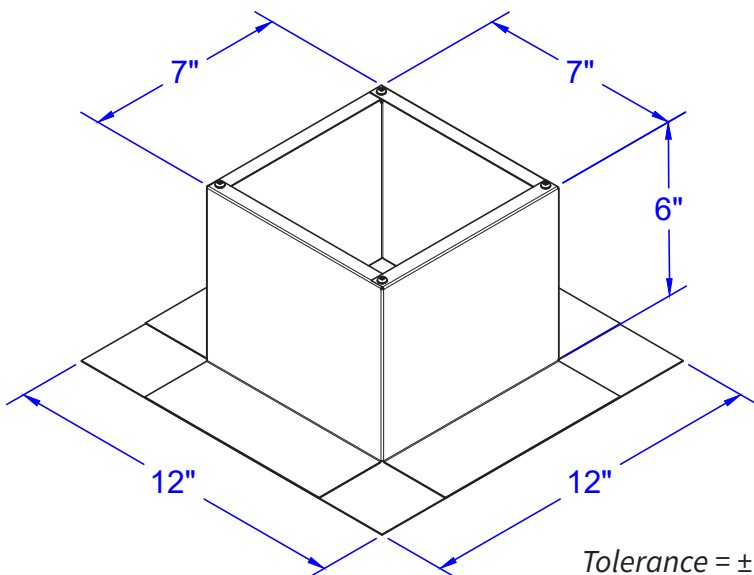


Top View



Bottom View

## Dimensions & Specifications



Tolerance =  $\pm 0.25$ "

