

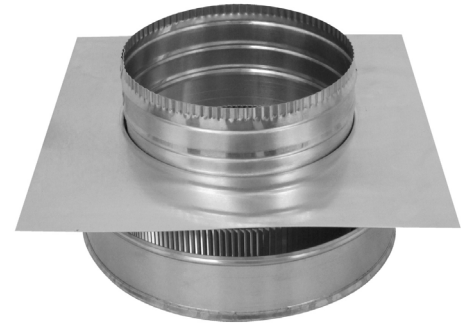


Round Back Roof Jack Vent Cap

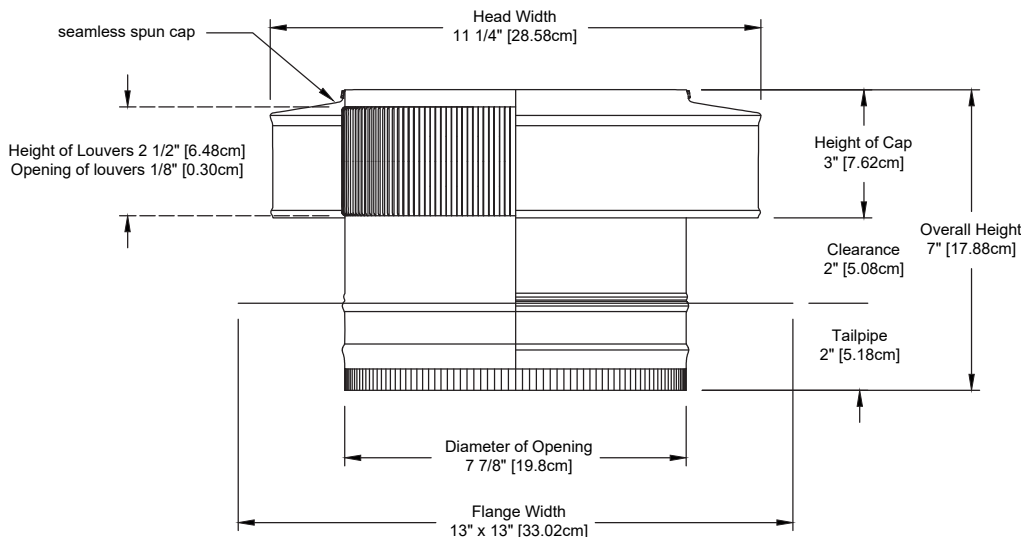
Model Number: RBV-8-C2-TP | 8" Diameter 2" Tall Collar



- Great for exhausting out bathroom fans and range hoods
- Comes with a tail pipe adapter to connect to duct work in the attic
- Prevents rain, snow and wildlife from entering
- Air flows freely through the inner louvers that ventilate better than insect screens
- Constructed of durable rust-free aluminum
- UL Certified, Florida State, Texas Insurance & California Fire Code approved; Tested to withstand wind pressure of 200+ mph
- 5 Year Warranty



Dimensions & Specifications



Pitch Capacity	
Min.	Max.
3/12	12/12
Net Free Vent Area	
(sq. inches)	(sq. feet)
50	0.35
Application per Sq. Foot	
(1/150)	(1/300)
104	208