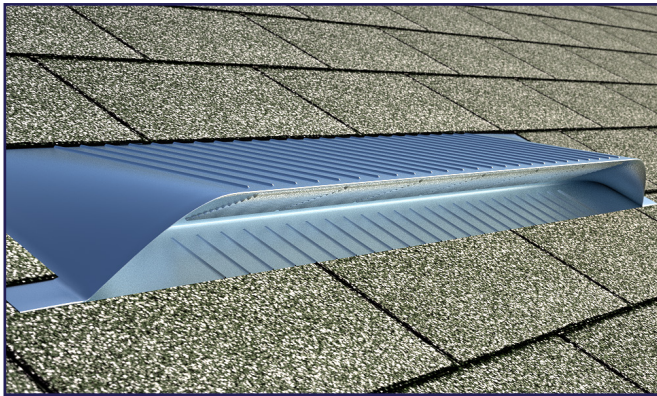
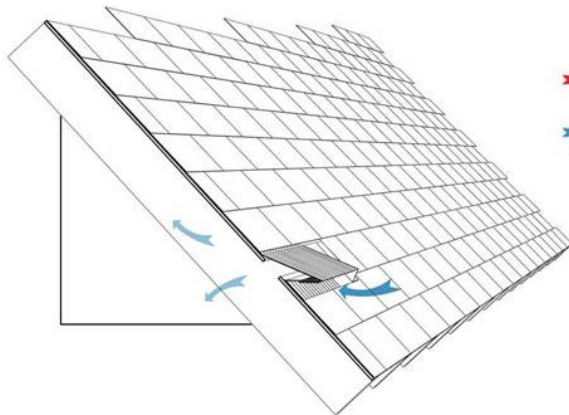




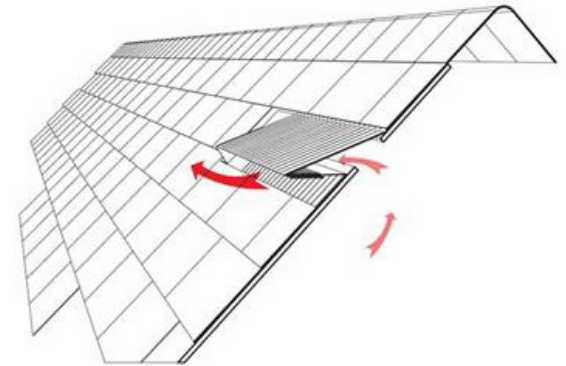
Universal Dormer Vent Model Number: UV-45 | 45 Sq. in. NFA



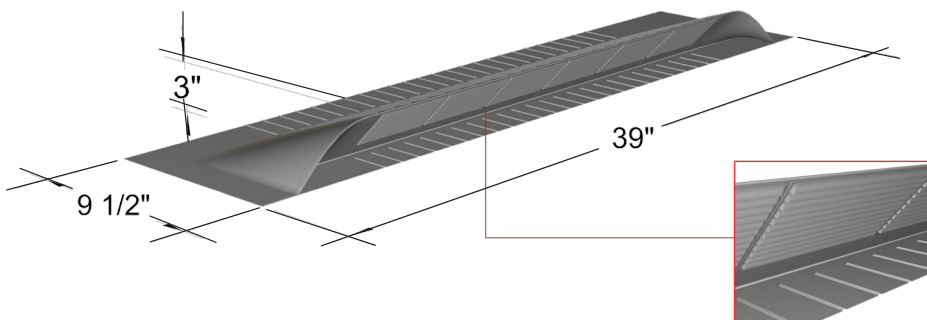
- Can be used as an exhaust vent or intake vent
- Used for ventilating parapet walls and steep slope roofs
- Louvers are designed to prevent rain, snow, insects and animals from entering
- Constructed of durable rust-free aluminum
- UL Certified, Florida State, Texas Insurance & California Fire Code approved
- Tested to withstand wind pressure of 200+ mph



→ Exhaust Ventilation
→ Intake Ventilation



Dimensions & Specifications



Pitch Capacity	
Min.	Max.
3/12	24/12
Net Free Vent Area	
(sq. inches)	(sq. feet)
45	0.31
Application per Sq. Foot	
(1/150)	(1/300)
94	188