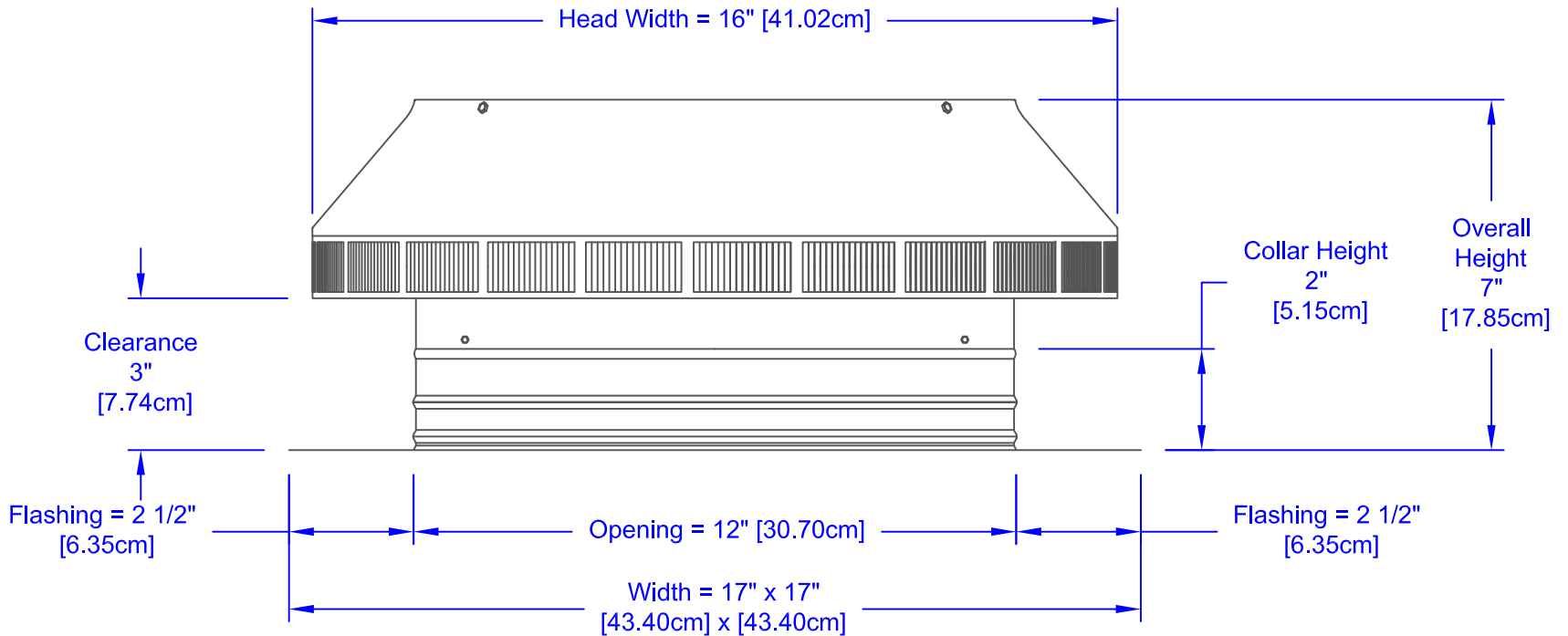


All Aluminum Construction, Thickness = 0.025" [0.635mm]



*Opening of Louvers = 1/8" [0.30cm]