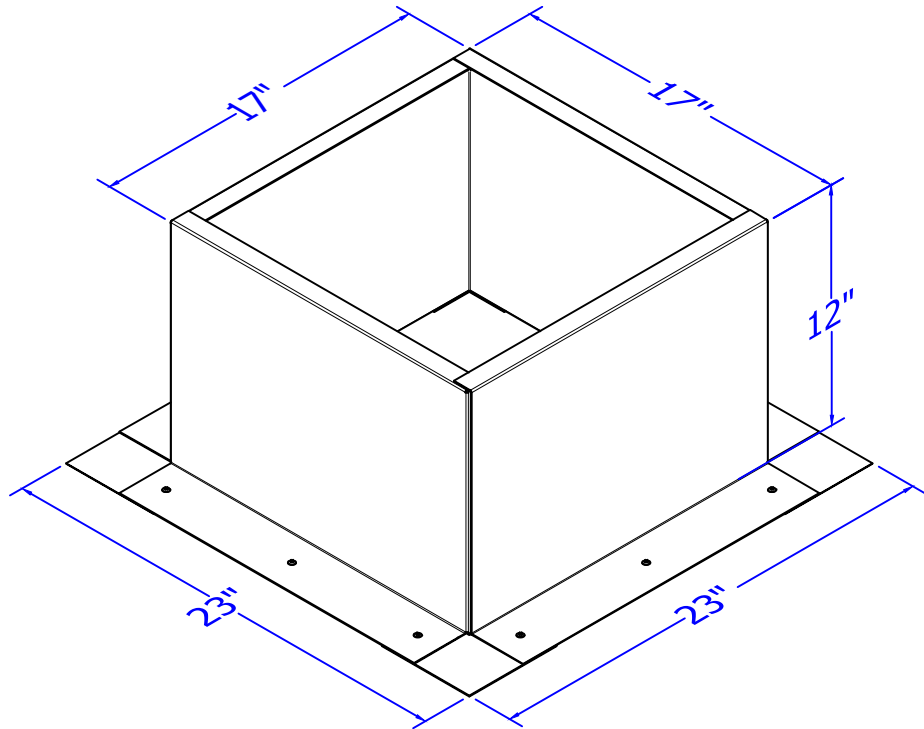
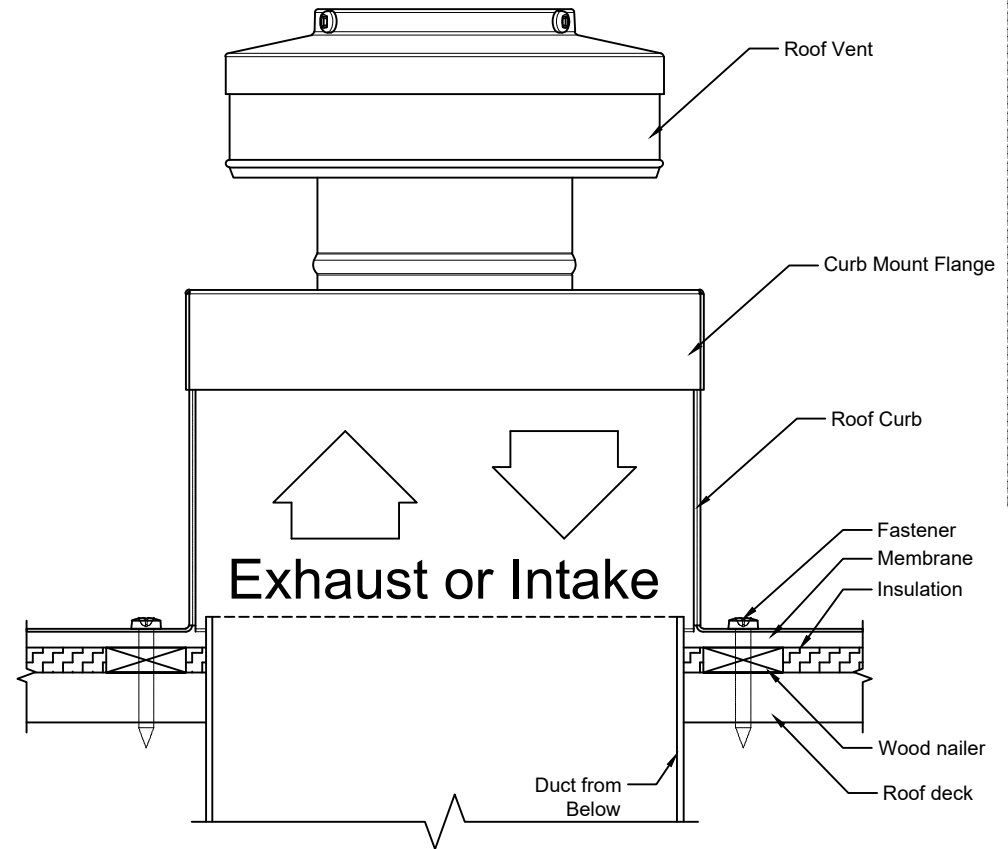


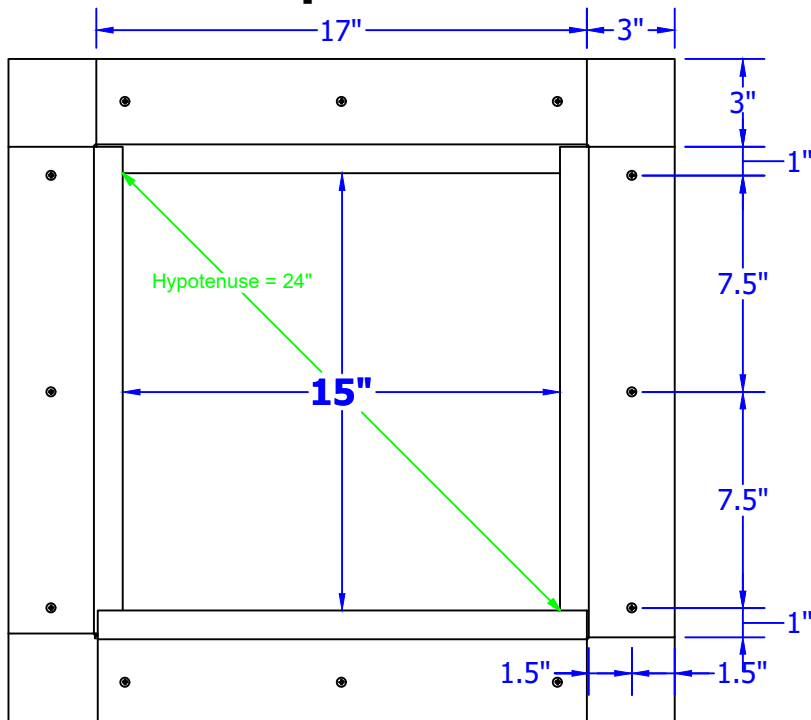
Angled View



Roof Curb Flashing Detail



Top View

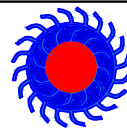


Roof Curb Installation Instructions

1. Cut a square or round hole 15" in diameter.
2. Total number of screws or nails needed for flange = 12
3. *Recommended installation screw: #10 x 1.5" Sheet Metal Screw*
4. Flash roof curb onto roof system according to specifications of the roof manufacturer.
5. Screws not included.

Roof Curb Model: RC-14-H12

Inside Diameter: 15", Outside Length & Width: 17", Height: 12"



Active Ventilation Products, Inc.

Website: roofvents.com

Email: sales@roofvents.com

1/19/2022