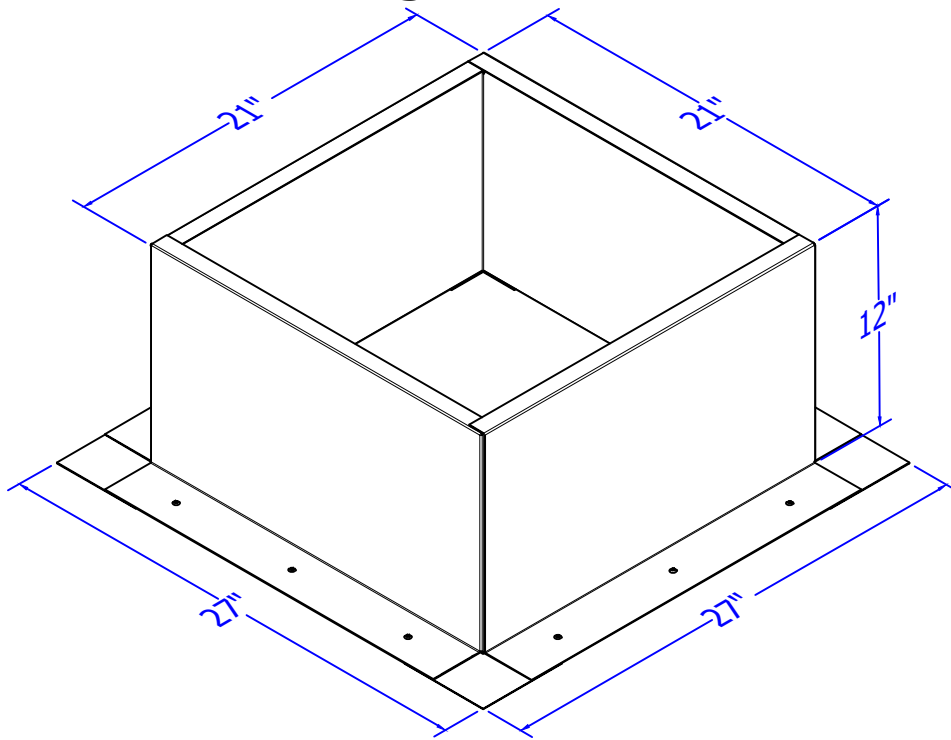
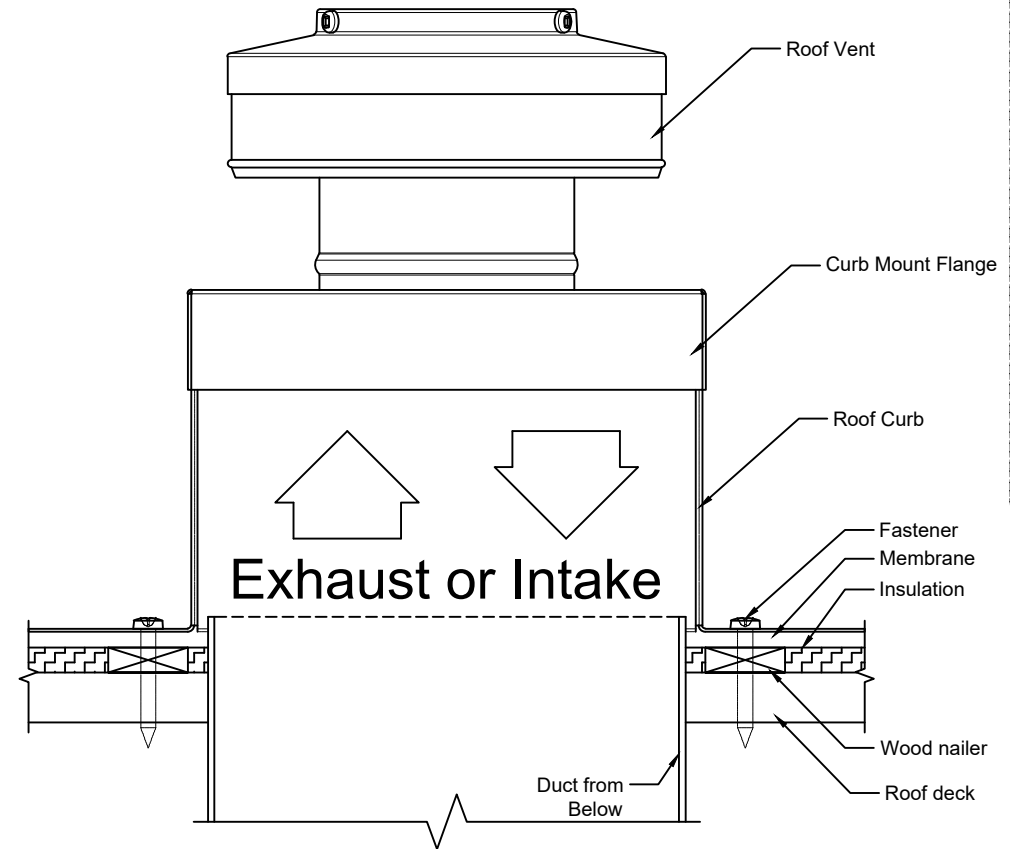


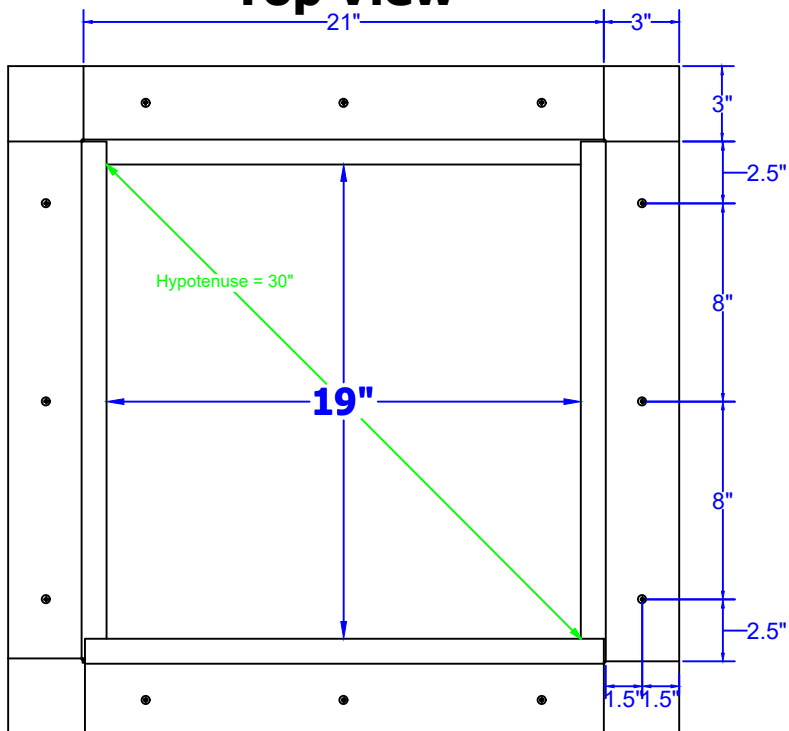
## Angled View



## Roof Curb Flashing Detail



## Top View

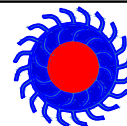


## Roof Curb Installation Instructions

1. Cut a square or round hole 19" in diameter.
2. Total number of screws or nails needed for flange = 12
3. *Recommended installation screw: #10 x 1.5" Sheet Metal Screw*
4. Flash roof curb onto roof system according to specifications of the roof manufacturer.
5. Screws not included.

### Roof Curb Model: RC-18-H12

Inside Diameter: 19", Outside Length & Width: 21", Height: 12"



**Active Ventilation Products, Inc.**

Website: [roofvents.com](http://roofvents.com)

Email: [sales@roofvents.com](mailto:sales@roofvents.com)

1/19/2022