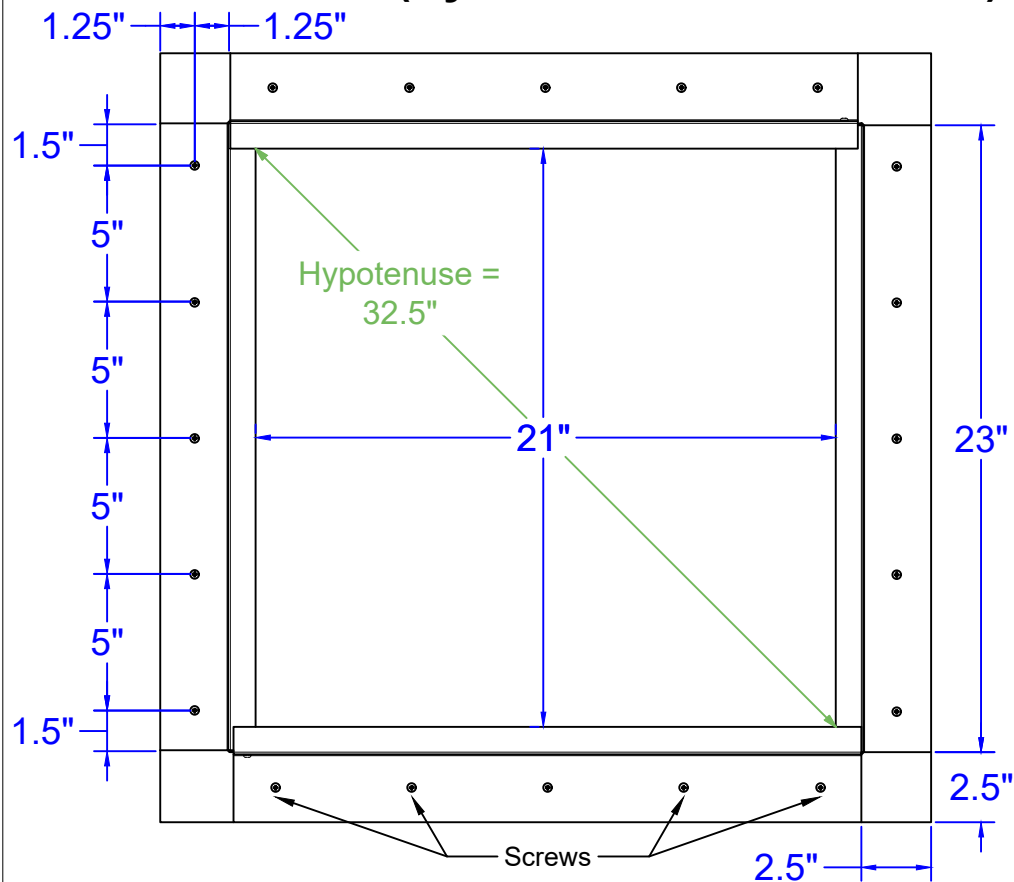
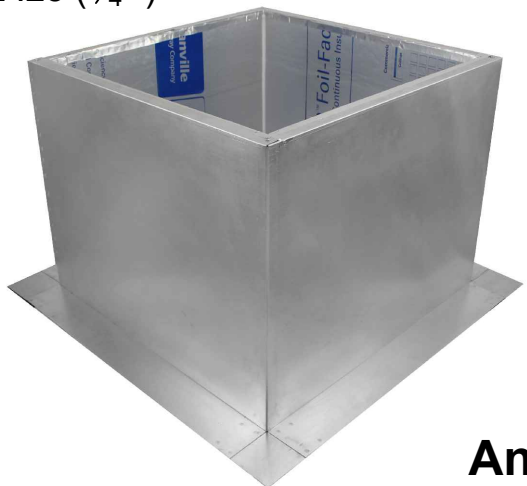


Screw Pattern (Symmetrical for all sides)

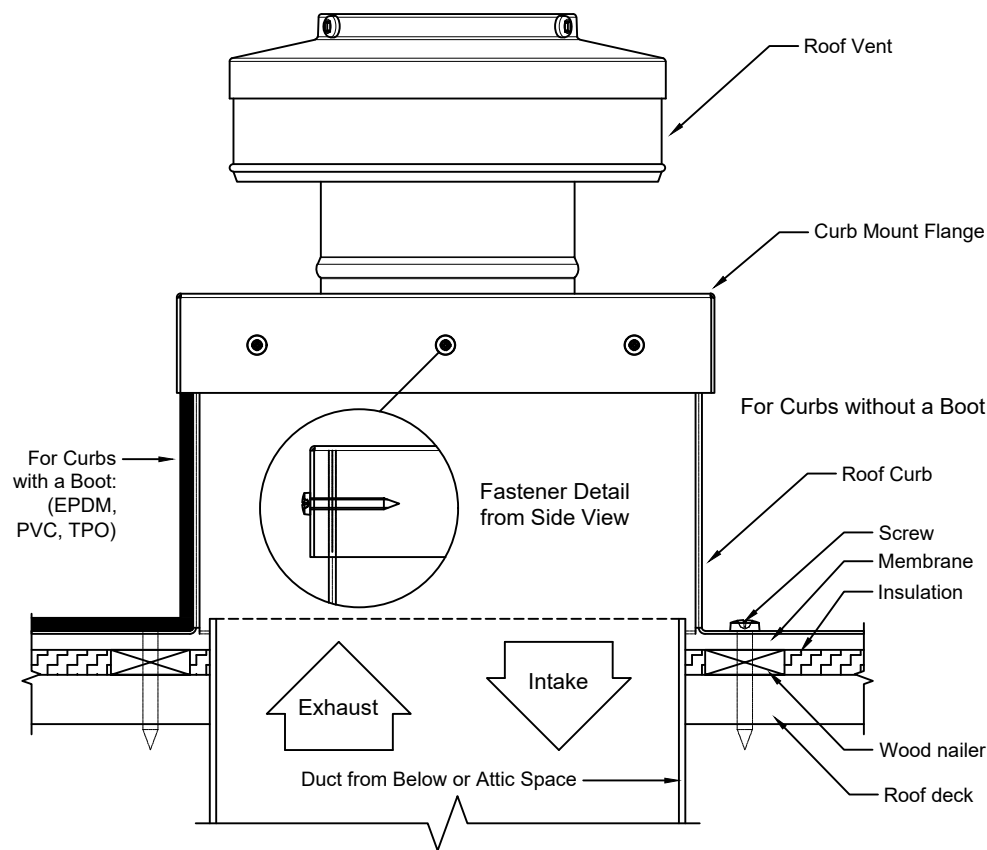


- Aluminum Alloy 3003-H14
- Thickness = 0.040" ± 0.005
- Tolerance = ± .25 (1/4")



Angled View

Roof Curb Flashing Detail

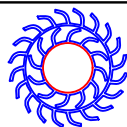


Roof Curb Installation Instructions

1. Cut a square or round hole 21" in diameter in the roof deck.
2. Total number of screws needed for flange = 20
3. *Recommended installation screw: Flat, Bugle or Wafer Head #10 x 1 1/2" Sheet Metal Screw, Type A Point*
4. Flash roof curb onto deck according to specifications of the membrane manufacturer.
5. Screws not included.

Insulated Roof Curb Model: RC-20-H18-Ins

Inside Opening: 21", Outside Length & Width: 23", Height: 18"



Active Ventilation Products, Inc.

Website: roofvents.com

Email: sales@roofvents.com

11/16/2023