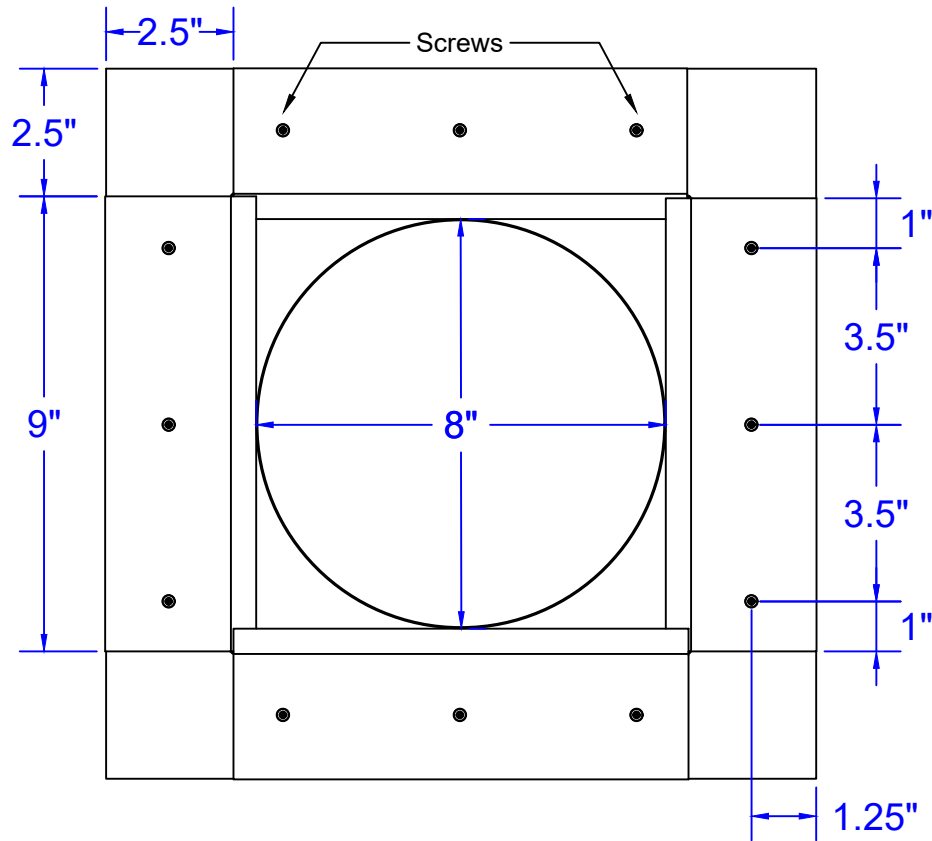
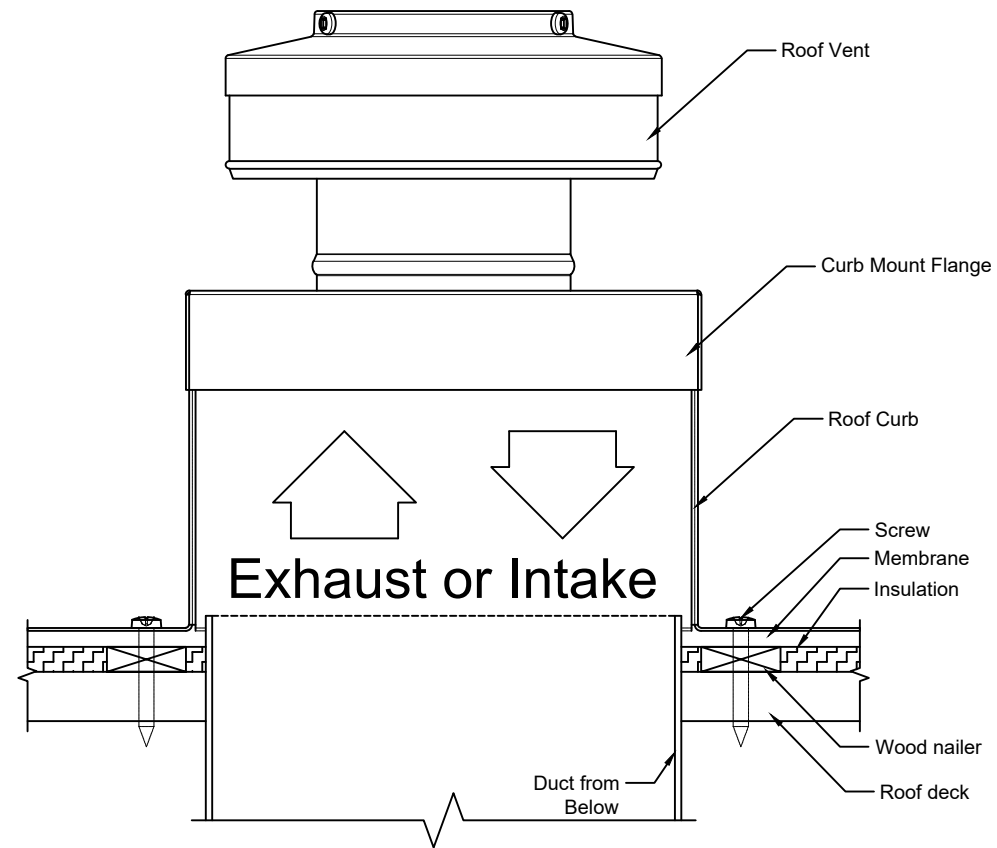


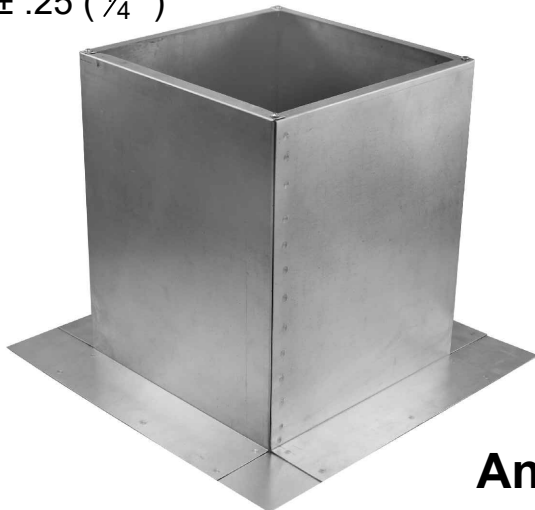
Top View



Roof Curb Flashing Detail



- Aluminum Alloy 3003-H14
- Thickness = 0.025" ± 0.005
- Tolerance = ± .25 (1/4")



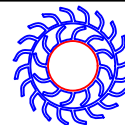
Angled View

Roof Curb Installation Instructions

1. Cut a round hole 8" in diameter in the roof deck.
2. Total number of screws needed for flange = 12
3. *Recommended installation screw: #10 x 1 1/2" Sheet Metal Screw*
4. Flash roof curb onto deck according to specifications of the membrane manufacturer.
5. Screws not included.

Roof Curb Model: RC-6-H12

Inside Opening: 8", Outside Length & Width: 9", Height: 12"



Active Ventilation Products, Inc.

Website: roofvents.com

Email: sales@roofvents.com

1/1/2023