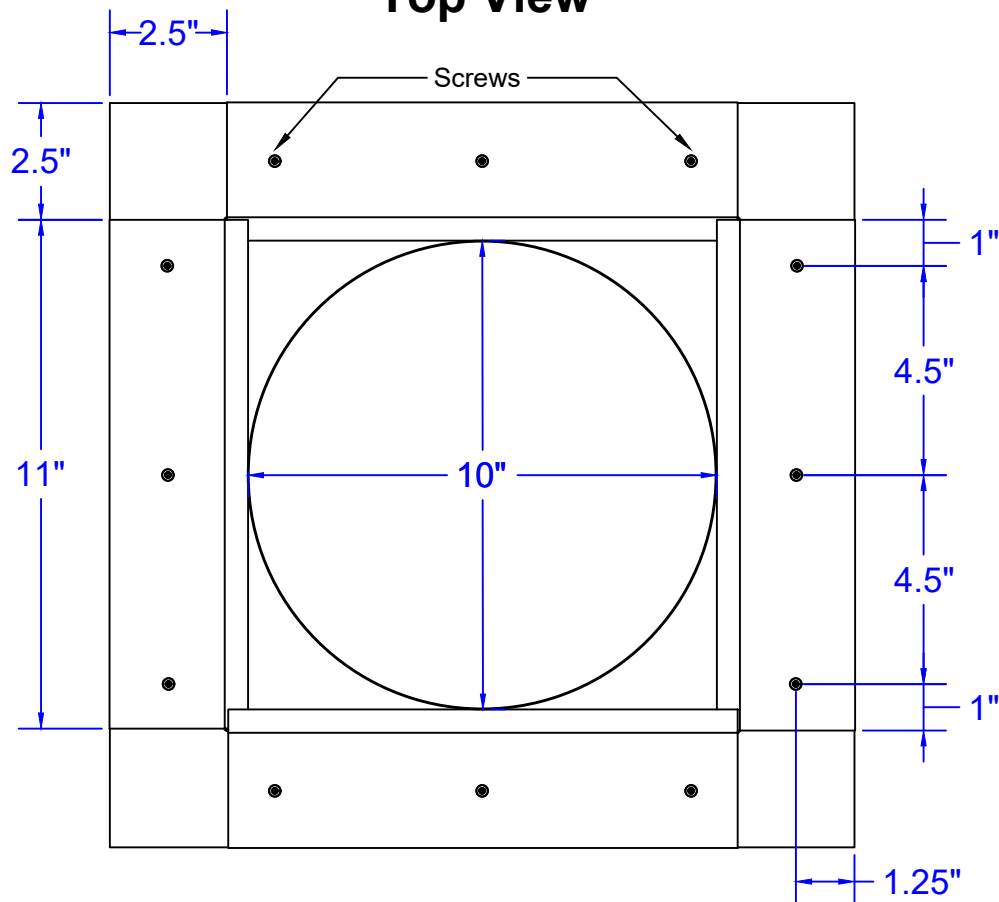
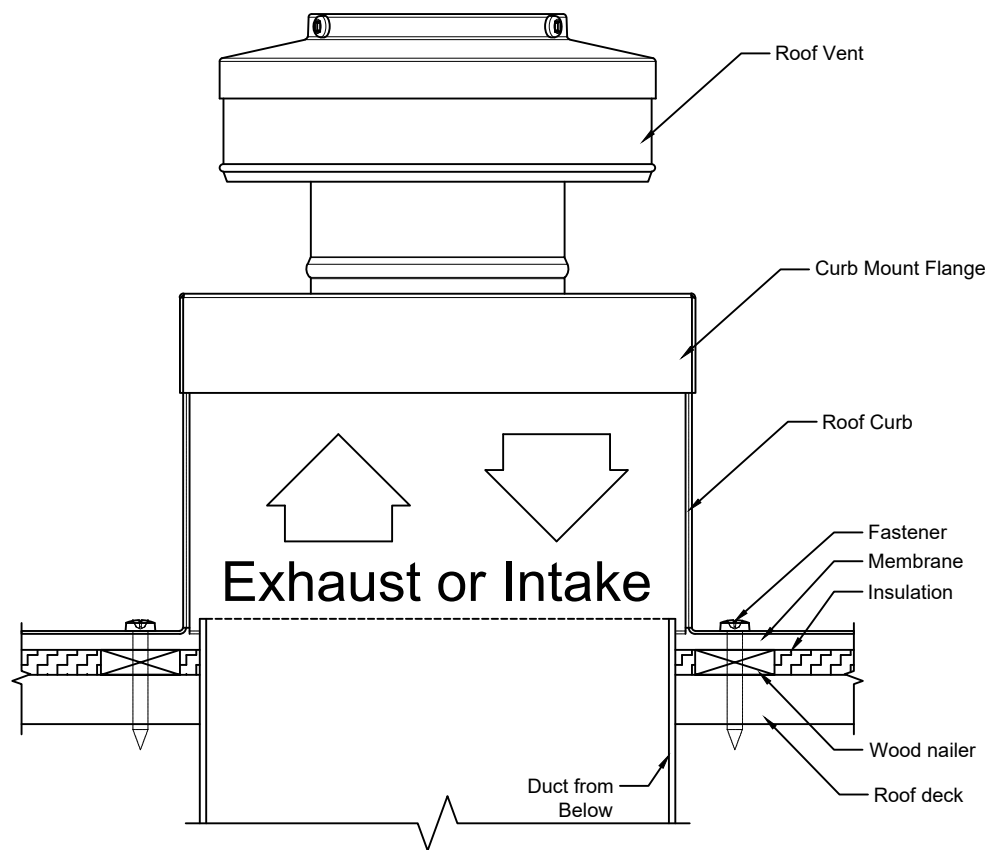


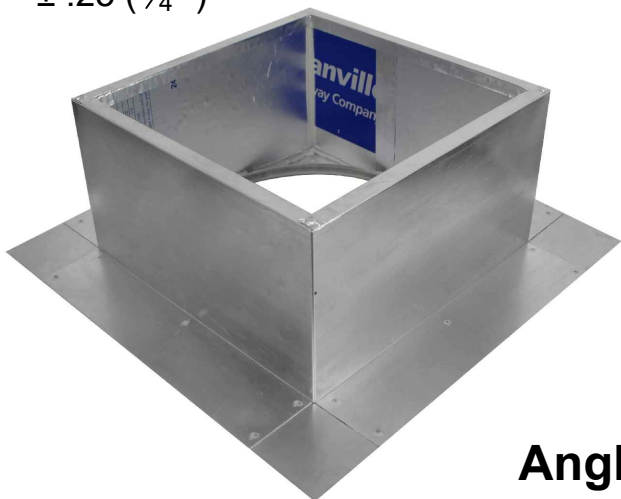
Top View



Roof Curb Flashing Detail



- Aluminum Alloy 3003-H14
- Thickness = $0.025" \pm 0.005$
- Tolerance = $\pm .25$ ($\frac{1}{4}"$)



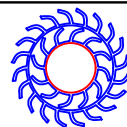
Angled View

Roof Curb Installation Instructions

1. Cut a round hole 10" in diameter in the roof deck.
2. Total number of screws needed for flange = 12
3. *Recommended installation screw: #10 x 1 1/2" Sheet Metal Screw*
4. Flash roof curb onto deck according to specifications of the membrane manufacturer.
5. Screws not included.

Insulated Roof Curb Model: RC-8-H6-Ins

Inside Opening: 10", Outside Length & Width: 11", Height: 6"



Active Ventilation Products, Inc.

Website: roofvents.com

Email: sales@roofvents.com

1/1/2023