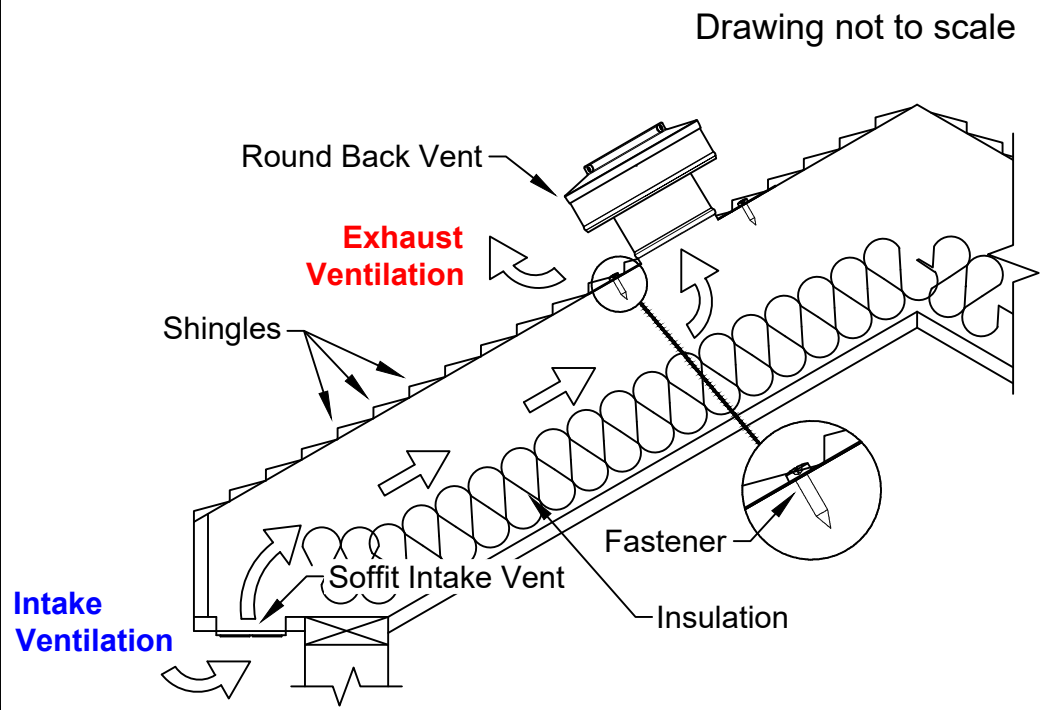


Rounded Corner option



**Round Back Roof Vent**

**Model: RBV-6-C4 Diameter: 6" Collar Height: 4"**

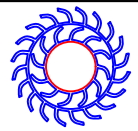


**Round Back Roof Vent Detail & Installation Instructions**

1. Cut a circular hole 6" in diameter in the roof deck. Remove all debris.
2. Apply sealant to the underside of the flange, then place vent down.
3. Screw\* vent onto roof deck, following the pattern as shown.
4. Seal all seams and screws with an approved roofing sealant

*\*Recommended installation screw: Flat, Bugle or Wafer Head #10 x 1 1/2" Steel Wood Screw, Type A Point*

Total number of screws needed = 8 (screws not included)



**Active Ventilation Products, Inc.**

Visit us: [roofvents.com](http://roofvents.com) Email us: [sales@roofvents.com](mailto:sales@roofvents.com)

1/25/2024